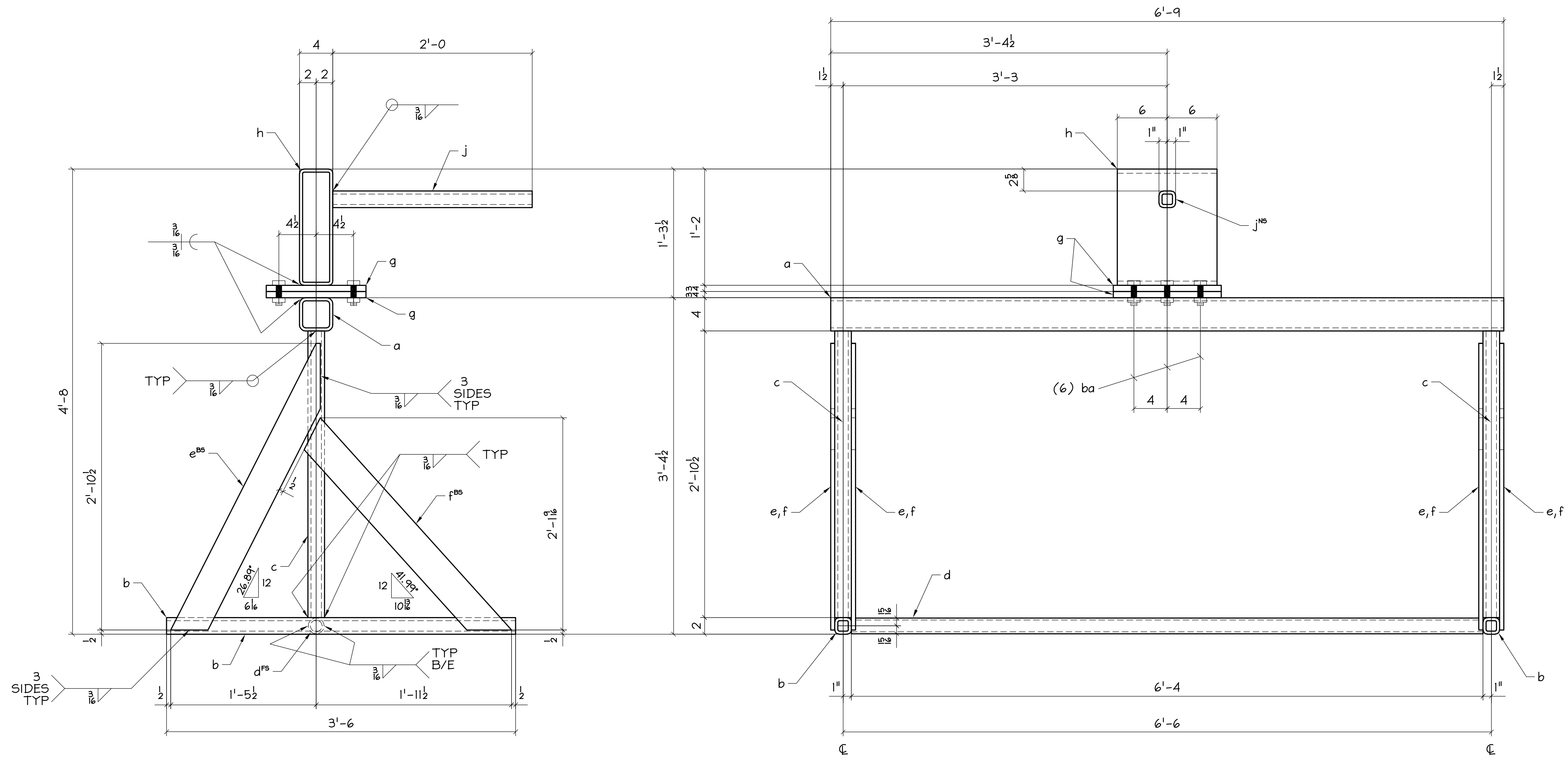
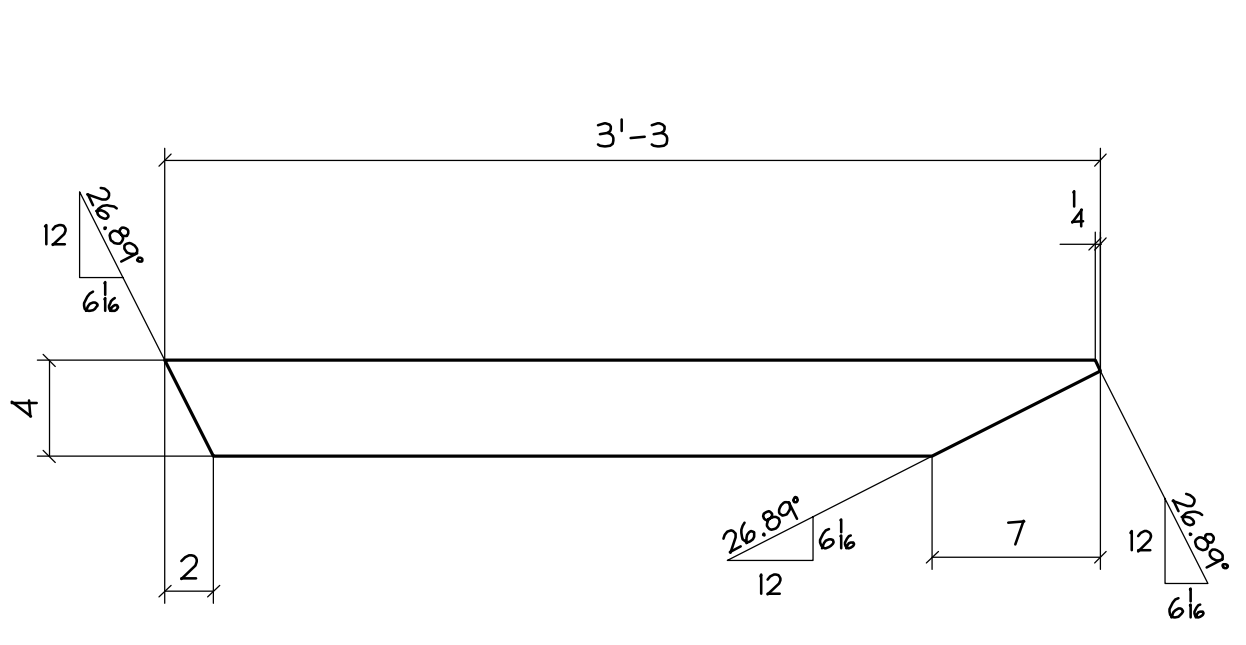


BILL OF MATERIAL

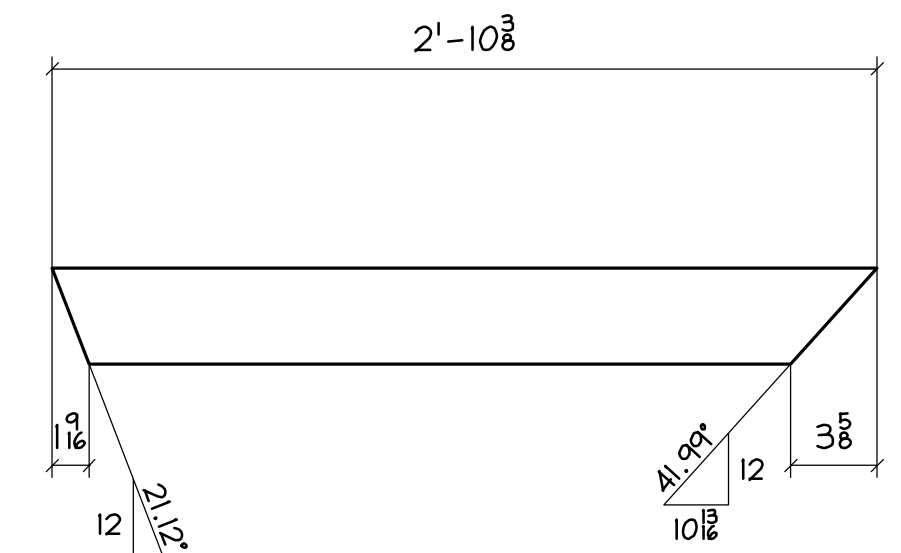
NO. TO SHIP	SHIP MARK	TOTAL No	PC MARK	DESCRIPTION	LENGTH		REMARKS	ADV. BILL	WEIGHT	
					FT.	IN.			UNIT	TOTAL
7	20A			SHIPPING SUPPORT						
		7	a	HSS4x4x4	6	9	pg 14-25962.0020			
				HSS4x4x4			pg 14-26182.0000			
				HSS4x4x4			pg 26-29736.0000			
		14	b	HSS2x2x4	3	6	pg 25-29553.0000			
		14	c	HSS2x2x4	2	10 1/2	pg 25-29553.0000			
		7	d	1 1/2" STD PIPE	6	4	pg 3-5194.0000			
		28	e	FB4 x 1/2	3	3	pg 4-7798.0000			
		28	f	FB4 x 1/2	2	10 3/8	pg 4-7798.0000			
		14	g	2 1/2 x 12	1	1				
		7	h	HSS14x4x4	1	0	pg 11-23681.0000			
		7	j	HSS2x2x4	2	0	pg 25-29553.0000			
		42	ba	3/8" A325N BOLTS	0	2 1/2	W/ NUTS			



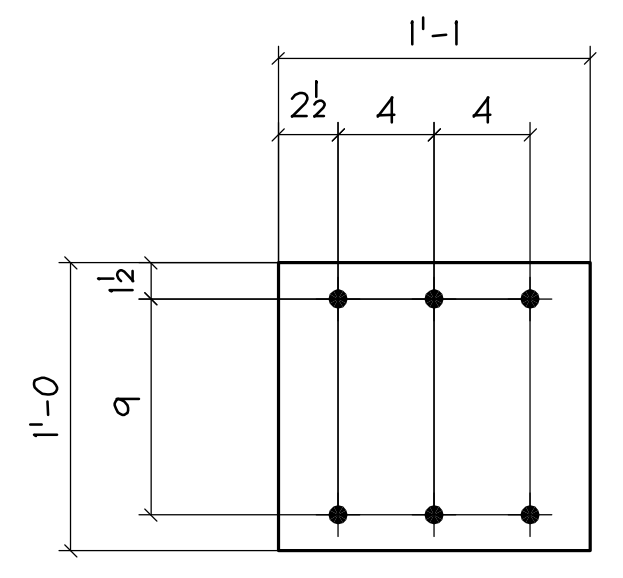
20A ~ SHIPPING SUPPORT ~ 7



DETAIL Pc 'e'
FB4 x 1/2 x 3'-3



DETAIL Pc 'f'
FB4 x 1/2 x 2'-10 3/8



DETAIL Pc 'g'
2 1/2 x 12 x 1'-1

FABRICATION NOTES:

HOLES UNO: 1/2"

WELD: E70XX

REF DWG: E10

MATERIAL UNO: A36
TS=A500 GRB

PAINT: NONE

NOTES:

VERIFICATION OF DIMENSIONS, DETAILS, AND ETC. ARE REQUESTED, WHERE INDICATED. IF EACH VERIFICATION IS NOT NOTED OTHERWISE, IT WILL BE ASSUMED TO BE CORRECT AS SHOWN.

REV	DATE	BY	DESCRIPTION	DWG STATUS	DATE
A	4/6/09	GDC	ISSUED FOR SHOP REVIEW	FOR APPROVAL	

ASTORIA COLUMN
ASTORIA, OREGON

ENG'R: ADI / ANGLE DETAILING, INC.
CON'T'R: ADI JOB# 49-001-001

COLUMBIA WIRE & IRON WORKS
5555 N. Channel Portland, Ore. 97217
www.cwil.com/503-286-6600

DRAWN BY: GDC
CHKD BY: GBA
JOB NO: 49-001-001
DWG. NO: 20

J:\COLUMBIA WIRE AND IRON\49-001-001 (ASTORIA COLUMN STAIR)_WAS_99-225-001\SHOPS\020.DWG 4/6/09 2:39pm FBRD melissamovsky