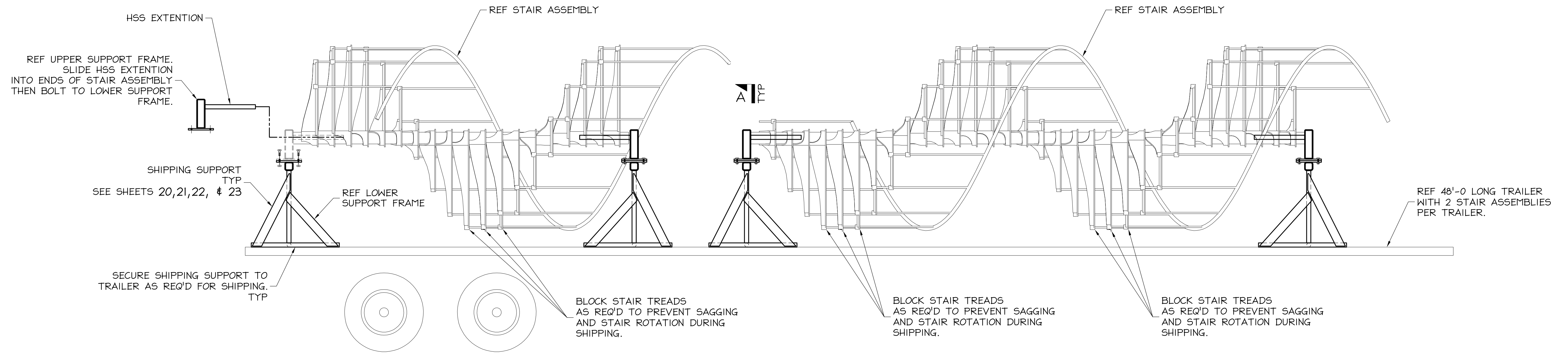
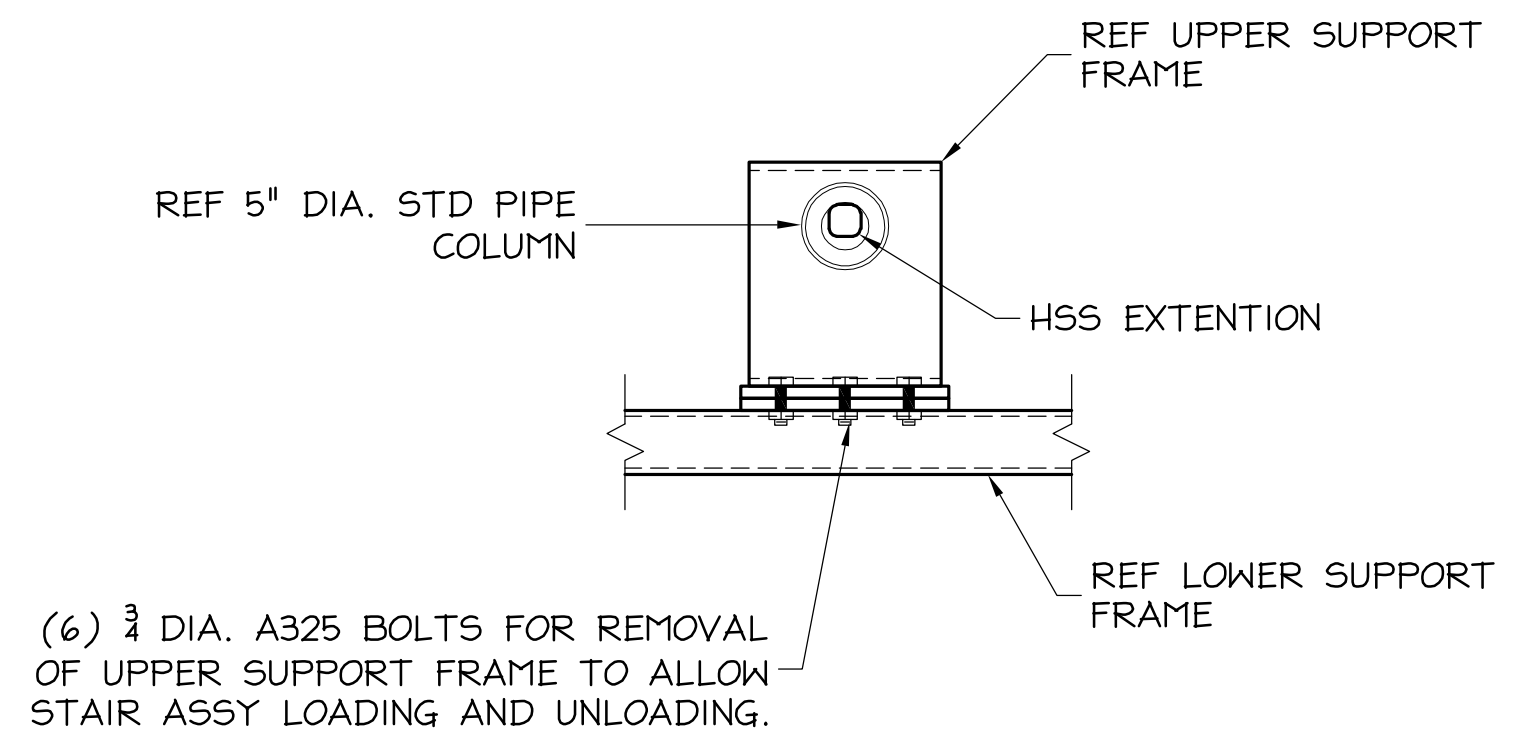


J:\COLUMBIA WIRE AND IRON\49-001-001 (ASTORIA COLUMN STAIR)_WAS_99-225-001\AS\1010.DWG 4/6/09 2:37pm E080 melissa.mosley



TYPICAL STAIR SHIPPING

SHIPPING PER TRUCK:
 12A & 14A
 13A & 14A
 15A & 16A



SECTION A

VERIFICATION OF DIMENSIONS, DETAILS, AND ETC. ARE REQUESTED WHERE INDICATED. IF EACH VERIFICATION IS NOT NOTED OTHERWISE, IT WILL BE ASSUMED TO BE CORRECT AS SHOWN

REV	DATE	BY	DESCRIPTION	DWG STATUS	DATE
A	4/6/09	GDC	ISSUED FOR SHOP REVIEW		

ASTORIA COLUMN
ASTORIA, OREGON

ENG'R: -
CONTR: -

COLUMBIA WIRE & IRON WORKS
 5555 N. Channel Portland, Ore. 97217
 www.cwil.com/503-286-6600

DRAWN BY: GDC CHK'D BY: GBA JOB NO: 49-001-001 DWG. NO: E10

ADI / ANGLE DETAILING, INC.
ADI JOB# 49-001-001